

Rocker Switch (RS3-2 Series)

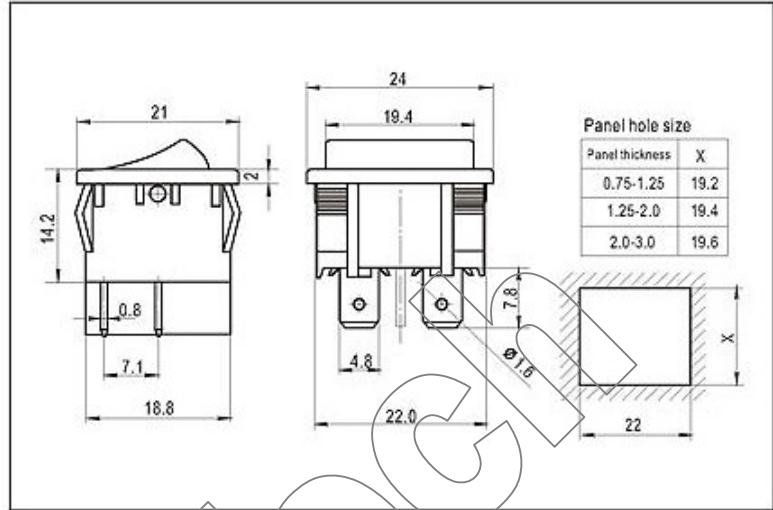


SPECIFICATIONS

- (G): 6 (2) A 250VAC T125/55 1E4
10A 125VAC
- (H): 10 (4) A 250VAC T125/55 1E4
10 (2) A 250VAC T85/55 5E4
16A 125VAC / 10A 250VAC 1/3HP 125-25VAC



ROHS Compliance



EXPLANATION MODEL NUMBER

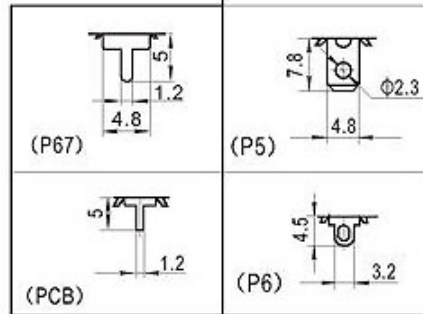
RS3-2-21/N-G-2-BK/BK-P5-0

Function	
21/N	ON-OFF 4P w/lamp
21	ON-OFF
22	ON-ON
23	ON-OFF-ON
21(ON)	(ON)-OFF
21(OFF)	ON-(OFF)
22(ON)	(ON)-ON

Rating	
G	10A 125VAC 6A 250VAC
H	16A 125VAC 10A 250VAC

Cap-Printing	
0	None
1	●
2	○
3	○
4	— =
5	
6	○
7	— ○ =
8	⊕ ⊗
15	●

Color Cap/Housing	
BK	Black
WT	White
RE	Red
GE	Grey



○	Nothing
P	PVC-Cap